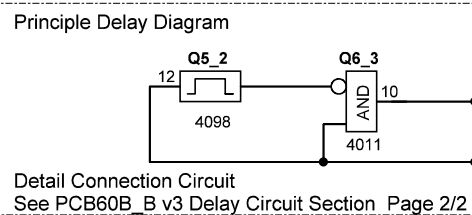
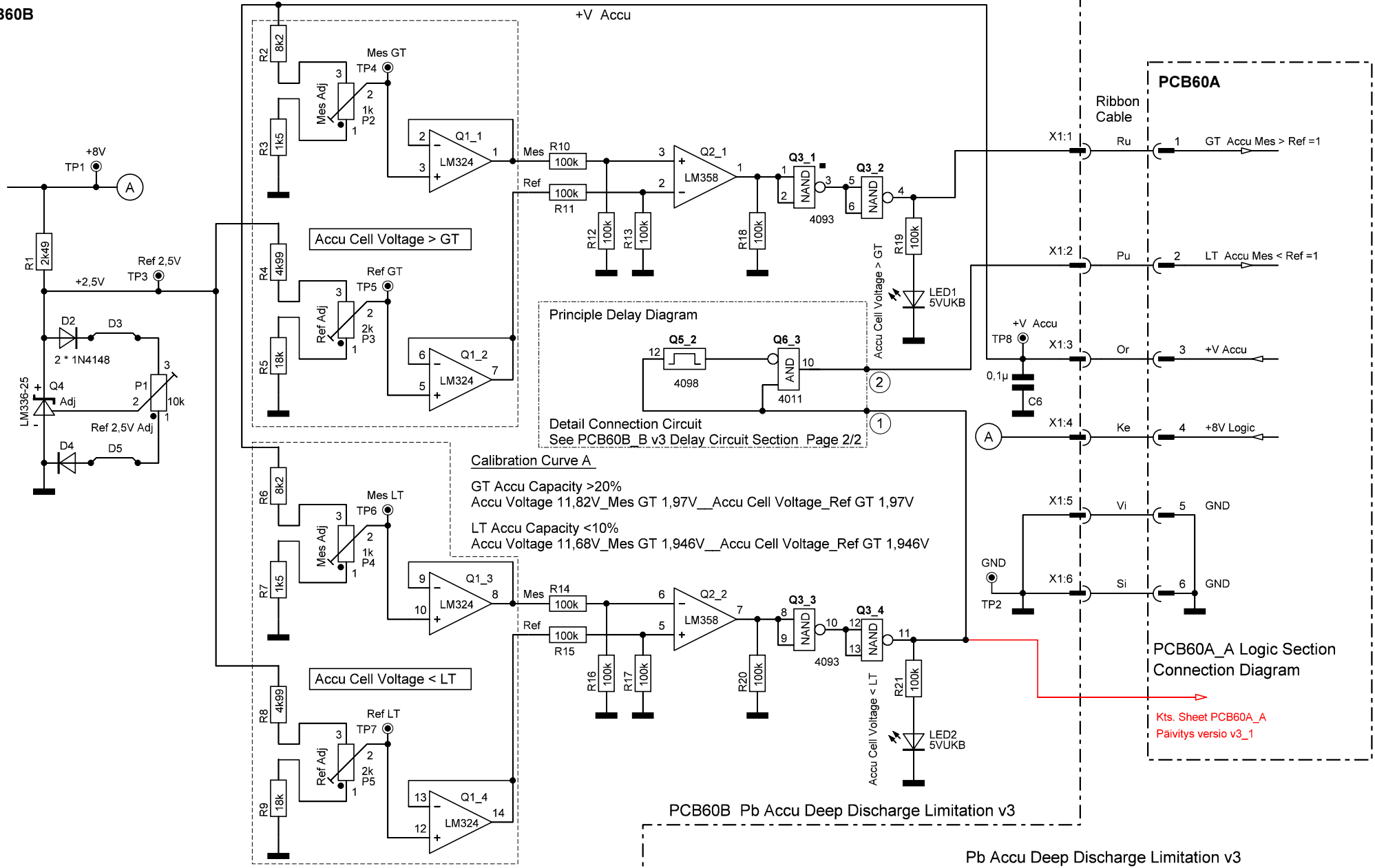
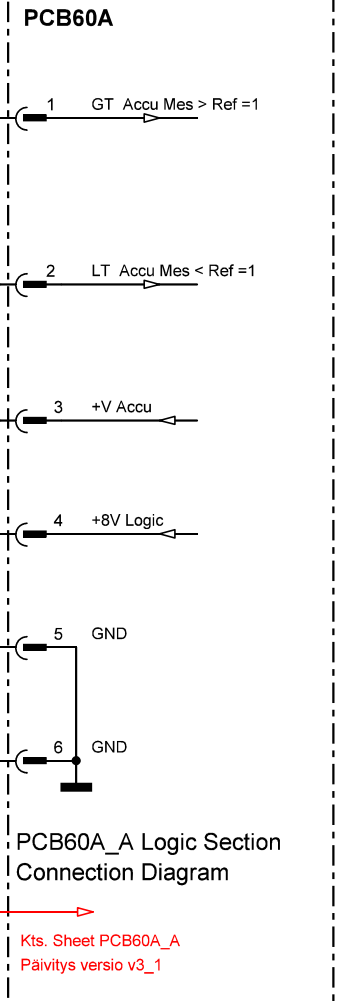


PCB60B



Calibration Curve A
 GT Accu Capacity >20%
 Accu Voltage 11,82V_Mes GT 1,97V__Accu Cell Voltage_Ref GT 1,97V
 LT Accu Capacity <10%
 Accu Voltage 11,68V_Mes GT 1,946V__Accu Cell Voltage_Ref GT 1,946V



PCB60B Pb Accu Deep Discharge Limitation v3

