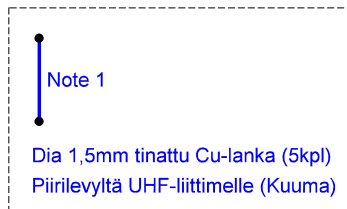


Filename: PCB39A Connection Diagram A

**PCB39A Component List**

1pcs PCB39A board (OH6LM)

Capacitors: 8pcs Ceramic 10nF/ 1kV R2 (5.08mm) or eq

D1.. D4: 4pcs Diodes 1N4004 or eq

K1.. K4: 4pcs Relays Schrack RT314012, 1-change-over contact 16A Coil 12VDC

Led1.. 4: 4pcs LED 5mm Low Current (StarElect Oy type 5MMC-VI)

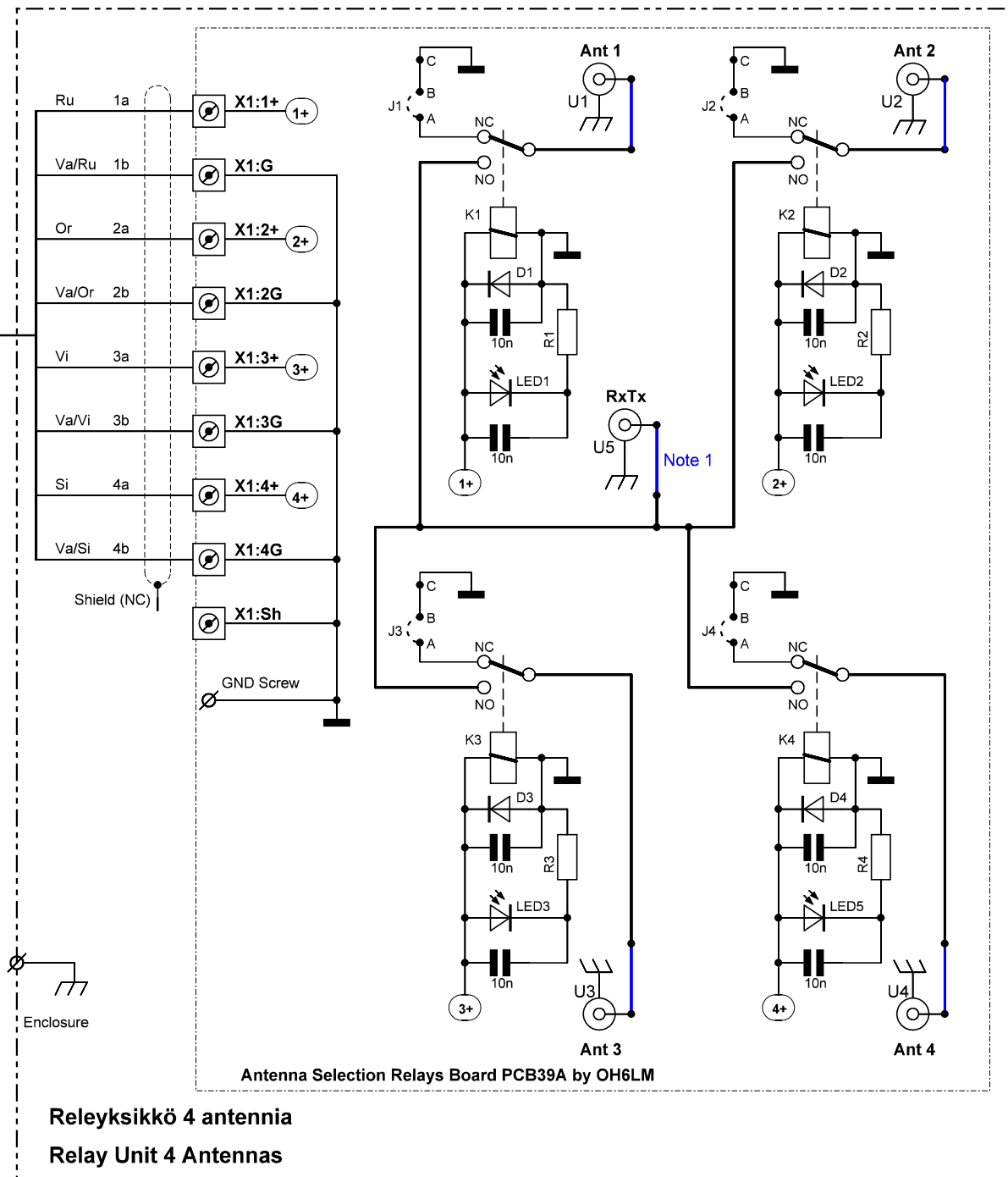
R1.. R4: 4pcs Resistor 2k2 0.6W

X1: PCB Row Conector, 3pcs 3pole R5.08 or eq (ELCOOD/ Partco)

U1.. U5: 5pcs UHF Frame connector/ flange mounting (StarElect Oy type UHF-SL)

Enclosure: 459XP RND, ca 121 \* 121 \* 59mm (StarElec Oy)

or 459VP Hammond 125\*125\*79mm (StarElec Oy)

Kenttäkaapeli  
Field Cable  
CAT6-PATCHS-PE (AWG27) or Eq**Relaysikkö 4 antennia**

PCB39A Internal Connection Diagram and Field Cable Connection